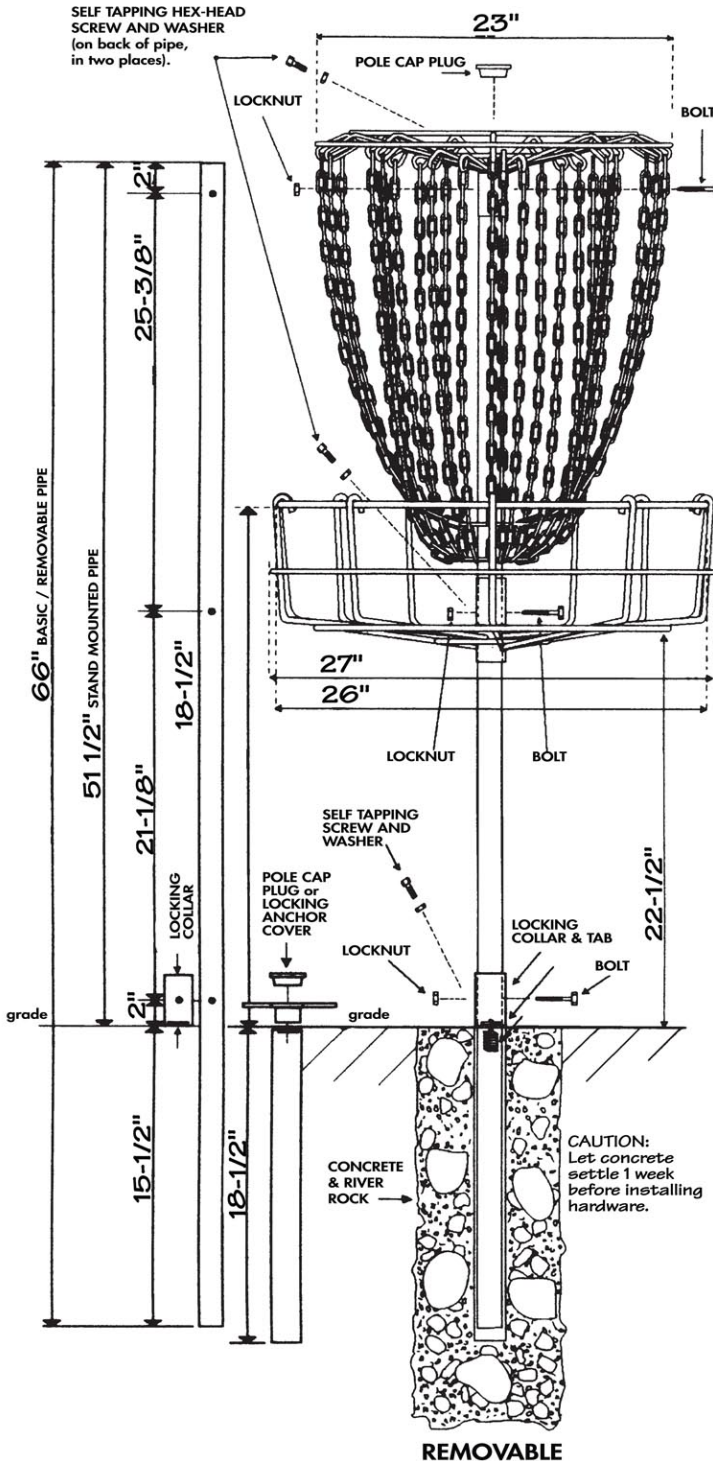


DISCRAFT ChainStar™

TARGET Assembly Instructions



REMOVABLE

POLE - (66") - 1 1/2 in. I.D., 1 15/16 in. O.D. hot-dipped galvanized pipe, drilled. The holes closest to one end of the pole are for the Chain Assembly. This end should also have a red Pole Cap plug. The middle set of holes are for the Basket Assembly. The bottom set of holes are for the Locking collar for Removable Chainstar. When installing without an anchor, the middle hole of the three top should face towards the tee.

CHAIN ASSEMBLY - Welded and hot-dipped galvanized. 12 outer sliding links and chains, 6 midway lifter hooks and chains, 6 inner pipe protectors and chains. All 24 chains assembled with heavy duty "S" hooks to allow freer movement of chains. 6 inch Sleeve - Bolt, hex head nut and washer, (will not vibrate loose like one-way screws).

TRAPPER™ BASKET ASSEMBLY - 3/8 inch steel rod, welded and hot-dipped galvanized. 6" Sleeve - bolt, hex head nut and nylon insert locknut, hex head tec screw, internal tooth star lock washer, (will not vibrate loose like one-way screws).

TRAPPED™ BASKET ASSEMBLY INSTRUCTIONS

Slide Basket Assembly down pole, (basket facing up), until holes in collar align with holes in middle of pole. Fasten with bolt, hex head nut and nylon insert locknut, hex head tec screw, internal tooth star lock washer, (will not vibrate loose like one-way screws).

REMOVABLE CHAINSTAR

LOCKING COLLAR - Welded and hot-dipped galvanized. 4" locknut, hex head tec screw, internal tooth star lock washer, (will not vibrate loose like one-way screws.)

LOCKING COLLAR ASSEMBLY

INSTRUCTIONS - Slide the locking collar, with the locking tab at the bottom of collar, up pole to bottom set of holes. Align holes in locking collar with holes in pole and fasten with bolt, hex head nut and nylon insert locknut, hex head tec screw, internal tooth star lock washer, (will not vibrate loose like one-way screw). After the locking collar is fastened, the pole can be placed in anchor to complete installation.

Note: The LOCKING TAB should always be pointing at the tee.

ANCHOR - 18 1/2" x 2 1/8" O.D. pipe, drilled. Install flush to ground with matching Locking Tab aiming at the tee.

CONCRETE AND RIVER ROCK - (Used to stabilize Anchor until cement sets) - Approximately 1 cubic foot (concrete, river rock and lock not furnished).

CAUTION: Let concrete settle 1 week before installing hardware.

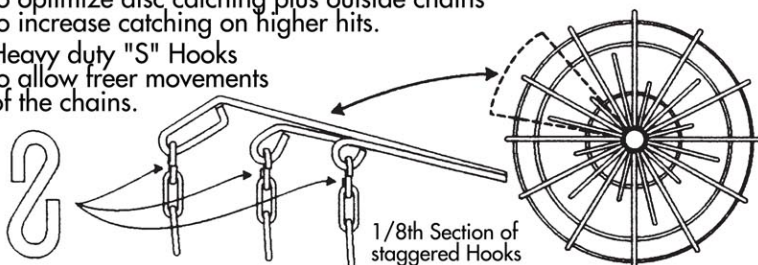
SEE REVERSE SIDE FOR ANCHOR OPTIONS

THE DISCRAFT CHAINSTAR™

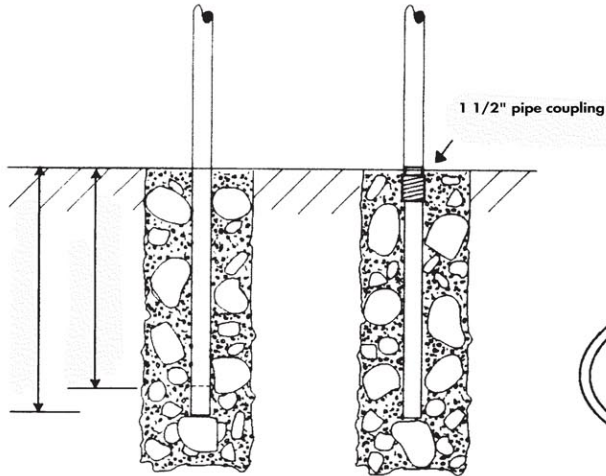
24 Chains hung in staggered formations to optimize disc catching plus outside chains to increase catching on higher hits.

Heavy duty "S" Hooks to allow freer movements of the chains.

TOP VIEW

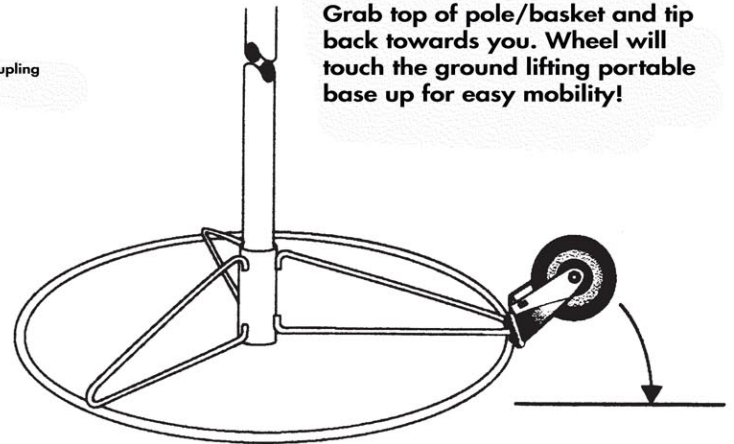


ANCHOR Options



NO-FRILLS

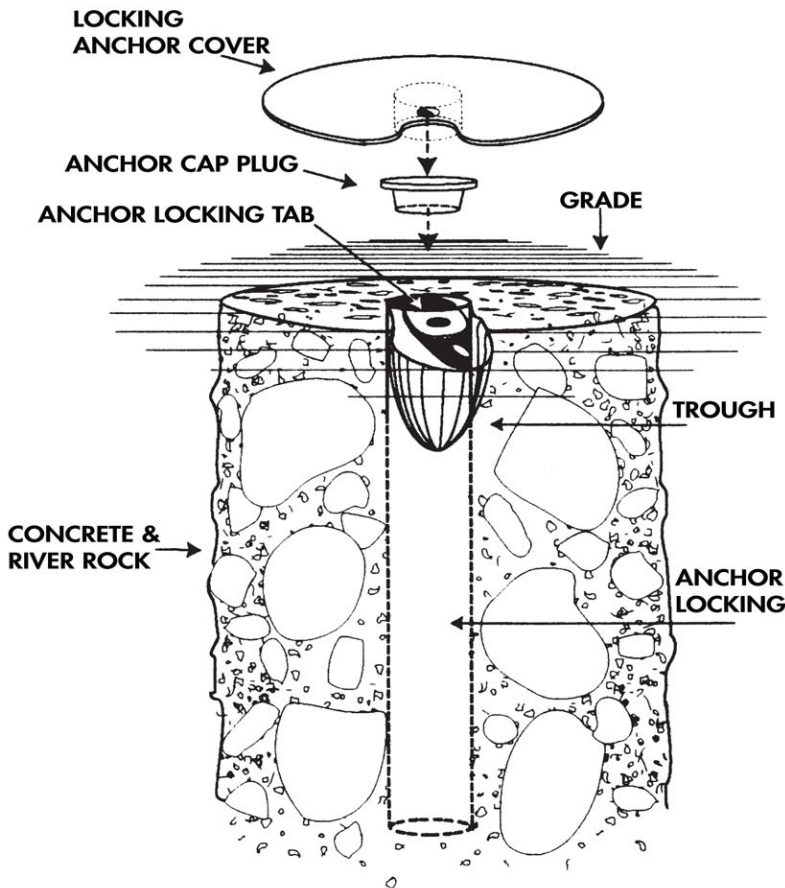
PORTABLE
(with threaded anchor,
special order only).



Grab top of pole/basket and tip back towards you. Wheel will touch the ground lifting portable base up for easy mobility!

PORTABLE
(welded steel hot-dipped
galvanized lifetime base)

ANCHOR Installation Instructions



Dig hole for Locking Anchor.

Recommended hole size is 8 inches in diameter and 24 inches deep. Place anchor in center of hole.

IMPORTANT: Position anchor with the Locking Tab pointing in the direction that you want each sign to be facing. On hole anchors aim Locking Tab down flight path. Position anchor flush with grade to prevent mower damage.

Pour in concrete flush with grade and top of anchor. DO NOT allow any concrete inside top of anchor. Use river rock to stabilize anchor until cement sets. (Concrete and river rocks, not included).

Insert one of the poles into the anchor and plum with level on side of pole, then remove pole.

Before concrete sets, form a 2" deep trough starting under the Locking Tab and ending at the side of the hole to allow room for padlock, (not included), below grade.

IMPORTANT: Let concrete cure for 1 week before installing above-ground hardware.

If hole or sign is removed, place Anchor Cap plug in top of anchor to prevent dirt and rocks from getting in or a Locking Anchor Cover to protect feet and lawn mower damage.